



| | |
|--|--|
| AHU Heat Pump System | |
| Location: _____ Engineer: _____ Submitted to: _____ Submitted by: _____ Reference: _____ | Approval: _____ Date: _____ Construction: _____ Unit #: _____ Drawing #: _____ |

| | |
|--------------------|--|
| Set Code | 22023110000867 |
| Indoor unit code | 22023111000251 |
| Outdoor unit code | 22023116000082 |
| Set Model | |
| Indoor unit model | ACIQ-36-AHB |
| Outdoor unit model | ACIQ-36-EHPB |
| Certified | AHRI  UL  |



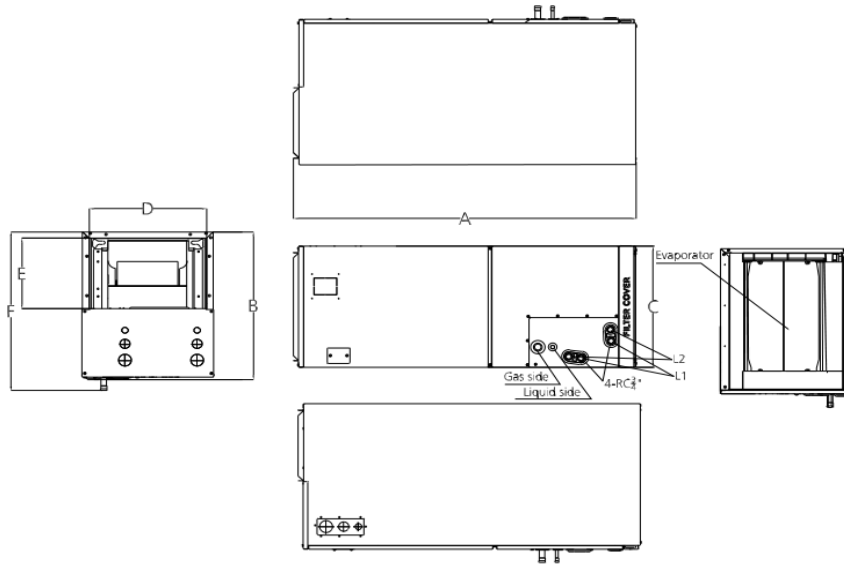
| SYSTEM PERFORMANCE DATA | | | |
|-----------------------------------|-------------|-------------------|--------------------|
| Power supply | | | |
| Normal Operational Voltage | (V, Ph, Hz) | 208/230V, 1Ph, | 60Hz |
| Voltage Range | (V) | | 187-253 |
| Electrical | | | |
| Minimum circuit ampacity(Outdoor) | (A) | | 24.0 |
| Max.fuse(Outdoor) | (A) | | 40.0 |
| Connection wiring | | 14AWG*2 | Stranded, shielded |
| Cooling | | | |
| Capacity | (Btu/h) | 36000(8900~38900) | |
| Power Input | (W) | 3560(320~4030) | |
| Current | (A) | 15.82(2.60~17.90) | |
| SEER2 | (Btu/W) | | 16.9 |
| EER2 | (Btu/W) | | 10.1 |
| Heating | | | |
| Capacity | (Btu/h) | 36000(9700~36400) | |
| Power Input | (W) | 3110(470~3690) | |
| Current | (A) | 15.8(3.5~15.5) | |
| HSPF2.4 | (Btu/W) | | 8.2 |
| HSPF2.5 | (Btu/W) | | 6.1 |
| COP | W/W | | 3.39 |
| Heat at 17F(H32) | (Btu/h) | | 20500 |
| Heat at 5F(H42) | (Btu/h) | | 21000 |
| COP at 5F(H42) | W/W | | 1.90 |

| INDOOR UNIT DATA | | | |
|---------------------------------------|---------|-------------------------------|----------------|
| Indoor fan motor | | | |
| Model | | | ZKFD-375-8-1-1 |
| Qty | | | 1 |
| Input | (W) | | / |
| Output | (W) | | / |
| RLA | (A) | | 27620.1 |
| Speed(Hi/Mi/Lo) | (r/min) | | / |
| Air flow & Noise level | | | |
| Indoor air flow (Hi/Med/Lo) (No duct) | (CFM) | 1188.24/1082.35/970.59/864.71 | |
| Indoor noise level (Hi/Med/Lo) | [dB(A)] | | 45.5/42.5/40 |
| Dehumidification | (L/H) | | 3.62 |
| Indoor unit | | | |
| Dimension (WxDxH) | (inch) | 21.02x21.02x49.02 | |
| | (mm) | 534x534x1245 | |
| Packing(WxDxH) | (inch) | 26.57x24.41x52.56 | |
| | (mm) | 675x620x1335 | |
| Net/Gross weight | (lbs.) | 129.19/155.64 | |
| | (kg) | 58.6/70.6 | |
| Accessories | | | |
| Adaptor for welding(3/4") | Qty | | 1 |
| Adaptor for welding(3/8") | Qty | | 1 |

| REFRIGERANT PIPE DATA | | | |
|--------------------------------|--------------|-----------------|--|
| Throttle type | Indoor unit | EEV for cooling | |
| | Outdoor unit | EEV for heating | |
| Design pressure | (PSIG) | 550/340 | |
| Refrigerant Type | | R410A | |
| Refrigerant charge | oz | 130.51 | |
| | (ft) | 25.0 | |
| Refrigerant precharge | (m) | 7.5 | |
| Additional charge for each ft | (oz/ft) | 0.69 | |
| Additional charge for each m | (g/m) | 65.0 | |
| Liquid side/ Gas side(indoor) | (inch) | 3/8" / 3/4" | |
| | (mm) | 9.52/19 | |
| Liquid side/ Gas side(outdoor) | (inch) | 3/8" / 3/4" | |
| | (mm) | 9.52/19 | |
| Max. pipe length | (ft) | 213.3 | |
| | (m) | 65.0 | |
| Max. difference in level | (ft) | 98.4 | |
| | (m) | 30.0 | |
| Connection method | | Flared | |
| Indoor(cooling) | (Deg. °F) | 60~90 | |
| | (Deg. °C) | 16~32 | |
| Indoor(heating) | (Deg. °F) | 32~86 | |
| | (Deg. °C) | 0~30 | |
| Outdoor(cooling) | (Deg. °F) | 5~122 | |
| | (Deg. °C) | -15~50 | |
| Outdoor(heating) | (Deg. °F) | 5~75 | |
| | (Deg. °C) | -15~24 | |

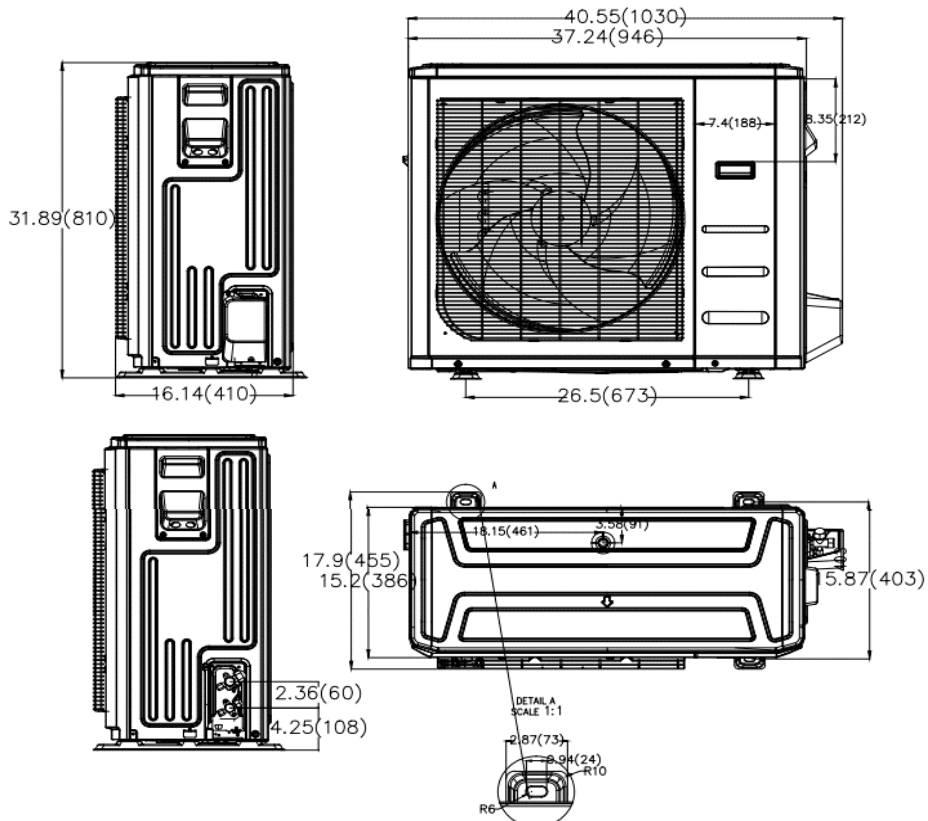
| OUTDOOR UNIT DATA | | | |
|-----------------------------------|---------|-------------------|-------------------|
| Compressor | | | |
| Type | | | ROTARY |
| Model | | | KTF250D22UMT |
| Brand | | | GMCC |
| Capacity | (Btu/h) | | 27620 |
| Input | (W) | | 2200 |
| Rated current (RLA) | (A) | | 17.6 |
| Refrigerant oil/oil charge | (ml) | | VG74/670 |
| Outdoor fan motor | | | |
| Model | | | ZKFN-120-8-2 |
| Qty | | | 1 |
| Input | (W) | | 150.0 |
| Output | (W) | | 120 |
| RLA | (A) | | 1.5 |
| Speed | (r/min) | | 1150/1050/900/850 |
| Air flow & Noise level | | | |
| Outdoor air flow (Max.) | (CFM) | | 2235 |
| Outdoor noise level | [dB(A)] | | 60.0 |
| Outdoor unit | | | |
| Dimension (WxDxH) | (inch) | 37.24x16.14x31.89 | |
| | (mm) | 946x410x810 | |
| Packing (WxDxH) | (inch) | 42.91x19.69x34.84 | |
| | (mm) | 1090x500x885 | |
| Net/ Gross weight | (lbs.) | 151.68/161.16 | |
| | (kg) | 68.8/73.1 | |
| Accessories | | | |
| Adaptor for welding(3/4") | Qty | | 1 |
| Adaptor for welding(3/8") | Qty | | 1 |
| Adaptor (5/8" to 3/4") | Qty | | 1 |

Indoor unit dimension



| Model | Unit | Dimensions(mm) | | | | | | Drain hole | |
|---------|------|----------------|-----|--------|---------|--------|-----|------------|----------------|
| | | A | B | C | D | E | F | L1 | L2 |
| 18k~24k | mm | 1143 | 534 | 445 | 400 | 260 | 585 | Main drain | Overflow drain |
| | inch | 45 | 21 | 17-1/2 | 15-3/4 | 10-1/4 | 23 | | |
| 30k-48k | mm | 1245 | 534 | 534 | 490 | 260 | 585 | | |
| | inch | 49 | 21 | 21 | 19-5/16 | 10-1/4 | 23 | | |
| 60k | mm | 1346 | 534 | 622 | 580 | 260 | 585 | | |
| | inch | 53 | 21 | 24-1/2 | 22-7/8 | 10-1/4 | 23 | | |

Outdoor unit dimension



36K

